

MODEL

# S321



Maximum filter life will be achieved with this product when one welder is welding up to 75 pounds of weld wire per week.



**Capacity:** 1500 CFM @ 4.5 in.W.G.

**Motor:** 2HP, Direct Drive

**Voltage:** 3 Phase, 480V, 60Hz

**Full Load Amps:** 3.4

**Blower:** Reverse inclined high performance blower wheel

**Sound Level:** 72 dBA

**Silencing:** Integral Acoustical Plenum with Low Frequency Dampening

**Controls:** Manual on/off switch, Minihelic Filter Condition Gauge

**Cabinet Dimensions (HxLxD):** 67" x 24" x 44"

**Weight:** 370 lbs.

**Filter Cartridge:** (1) PL-14D36-A15-SF

**Filter Media Area:** 320 sq. ft.

**Filter Type:** Nanofiber MERV15

**Filter Cleaning:** On board compressed air tank, manual activated push-button filter pulse cleaning, 1/2"NPT compressed air connection

**Dust Containment:** Vacuum / sweep out filter plenum

**Spark Arrestance:**

Two Layer, (1) FB-24242, (1) MM-24242

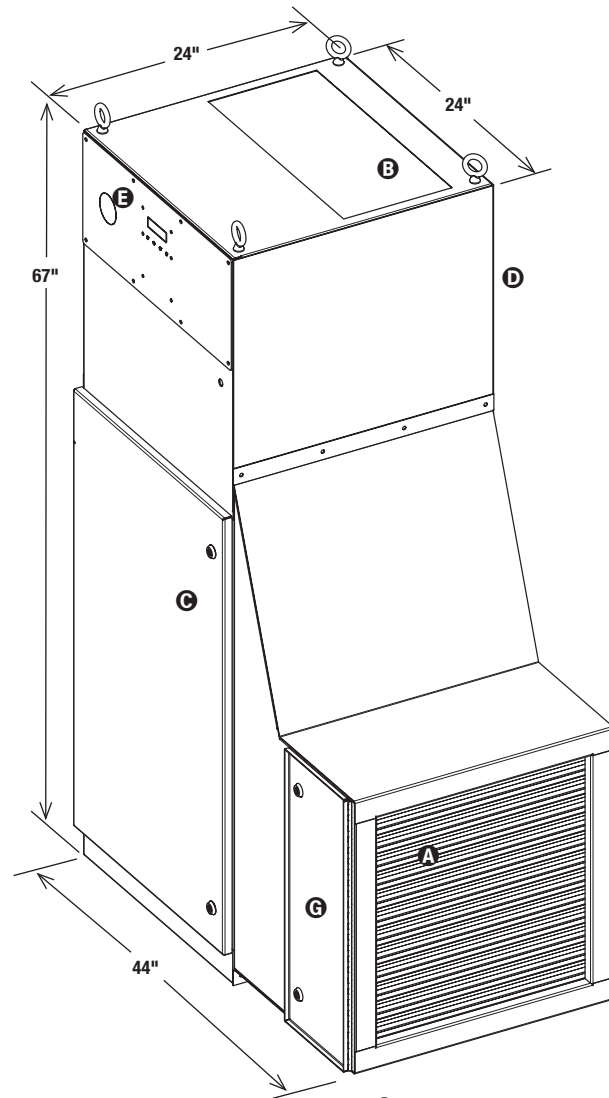
**Configuration:** Back Draft, 2' x 2' Opening

**Options:**

- Wall Bracket Kit — S300-WK-FA (**INCLUDED**)
- CSA Certification — CSA-100
- UL Certification — Contact Customer Service
- HEPA Filter — HP-S310  
HEPA Frame — HFR-S310
- Other Voltages: 230V or 575V

**Warranty:**

Visit [ventboss.com/terms](http://ventboss.com/terms) for full warranty details.



- A** Spark Arrestance Intake
- B** Clean Air Exhaust
- C** Filter Access Door
- D** Motor/Blower Access  
(on back)
- E** Minihelic Filter Gauge  
or Optional Digital Controller
- F** Wall Bracket Kit  
(not shown)
- G** Spark Arrestance Access Door