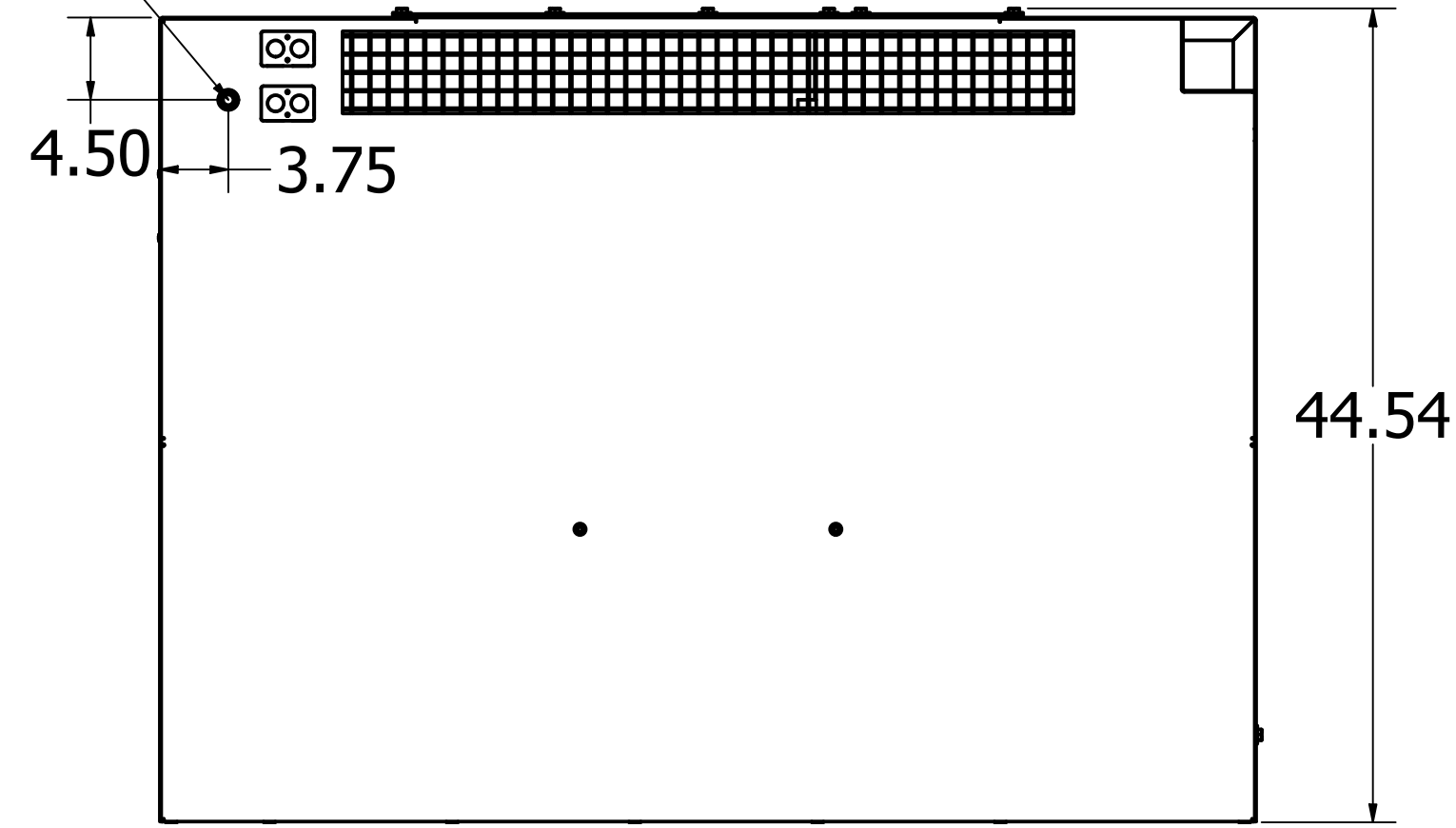


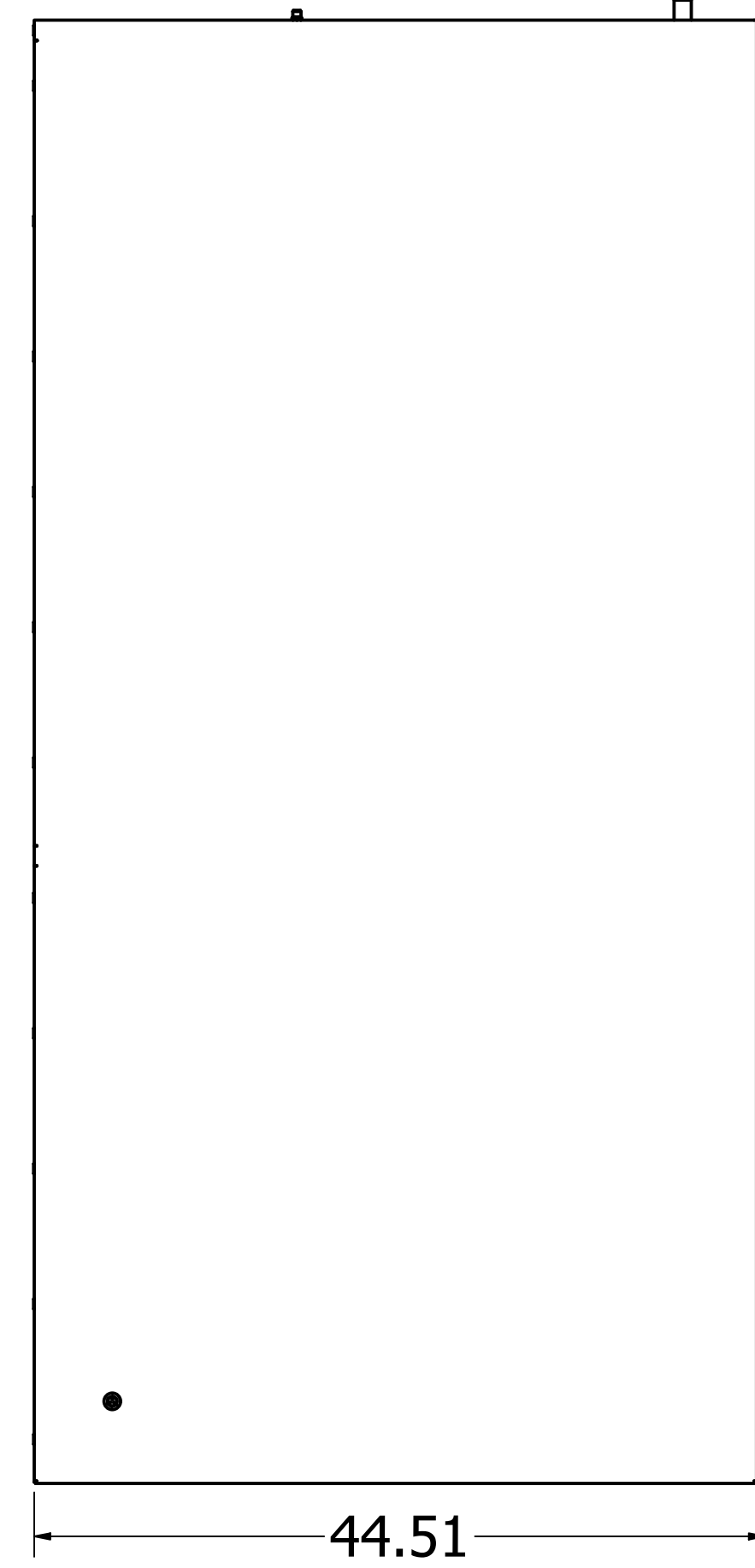
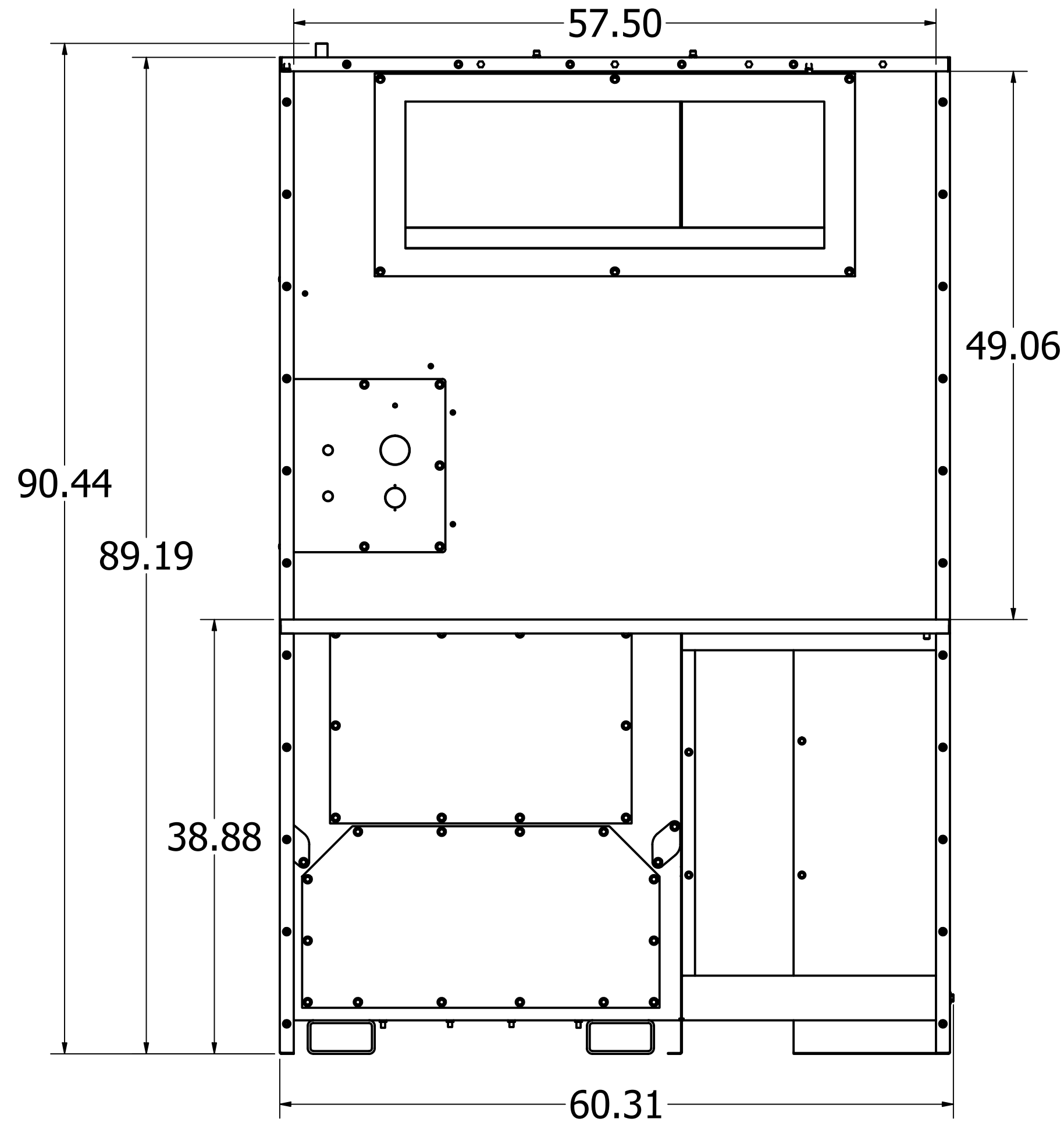
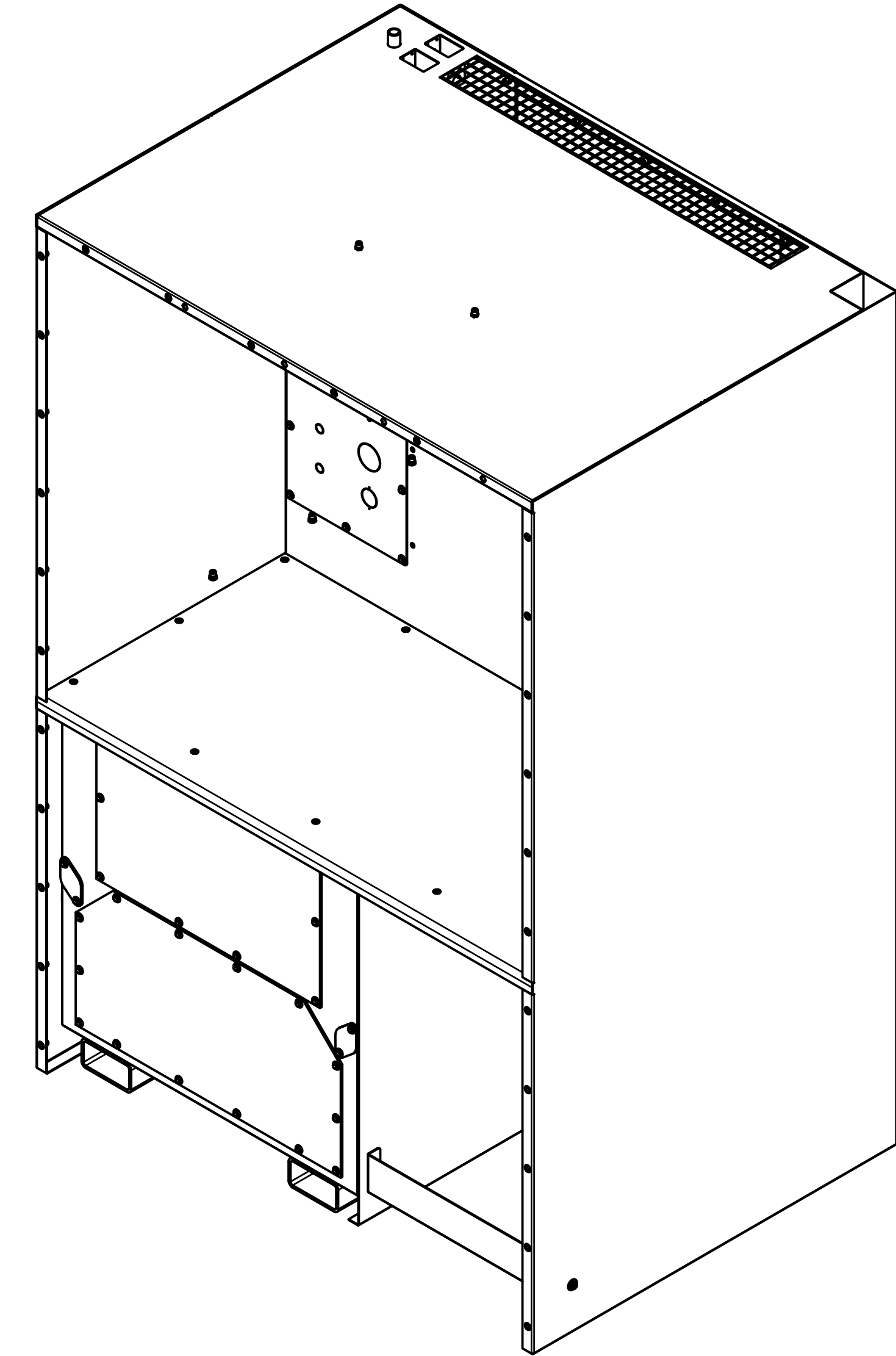
8 | 7 | 6 | 5 | 4 | 3 | 2 | 1

REVISION HISTORY			
REV	DESCRIPTION	DATE	DESIGNER
0	CF5-2000-1	10/12/2020	RKLINE

COMPRESSED AIR CONNECTION
3/4" NPT, WITH SUPPLIED
FILTER REGULATOR



CF5-2000-1
AIRFLOW CAPABILITY: 2000 CFM
MOTOR: 2HP
FULL LOAD AMPS @ 460 V: 3.4FLA



MATERIAL SPEC		DRAWN BY	DATE
MATERIAL TYPE	THICKNESS	RKline	10/9/2020
ASTM A1011 CS TYPE B HOT ROLLED SHEETS	<= .1943	3RD ANGLE PROJECTION	
ASTM A1018 CS TYPE B HOT ROLLED SHEETS	> .1943		
POWDER COAT SPEC			
ALL POWDER COATED COMPONENTS MUST MEET AAMA 2603 STANDARDS			
PROPRIETARY AND CONFIDENTIAL		TOLERANCE: XX ± .1 ANGLE ± 1°	
ANY REPRODUCTION IN PART OR AS A WHOLE WITHOUT THE WRITTEN PERMISSION OF ROBOVENT® IS STRICTLY PROHIBITED		UNLESS OTHERWISE SPECIFIED ALL DIMENSIONS IN INCHES(mm)	

RoboVent®

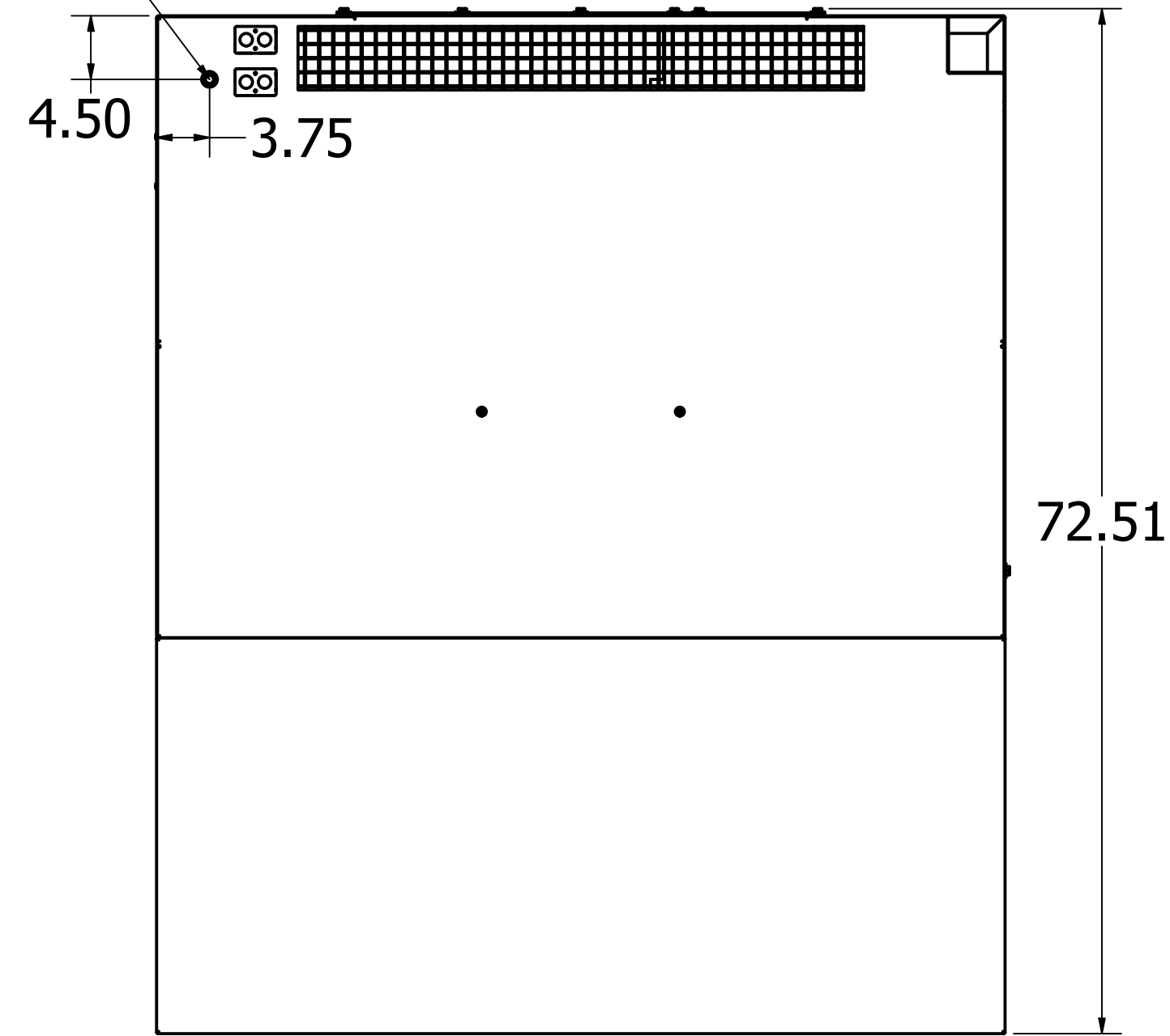
TITLE: CF5-2000-1

DWG NO. CF5-2000-1 REV. 0

SIZE D SCALE 1 / 10 SHEET 1 OF 2

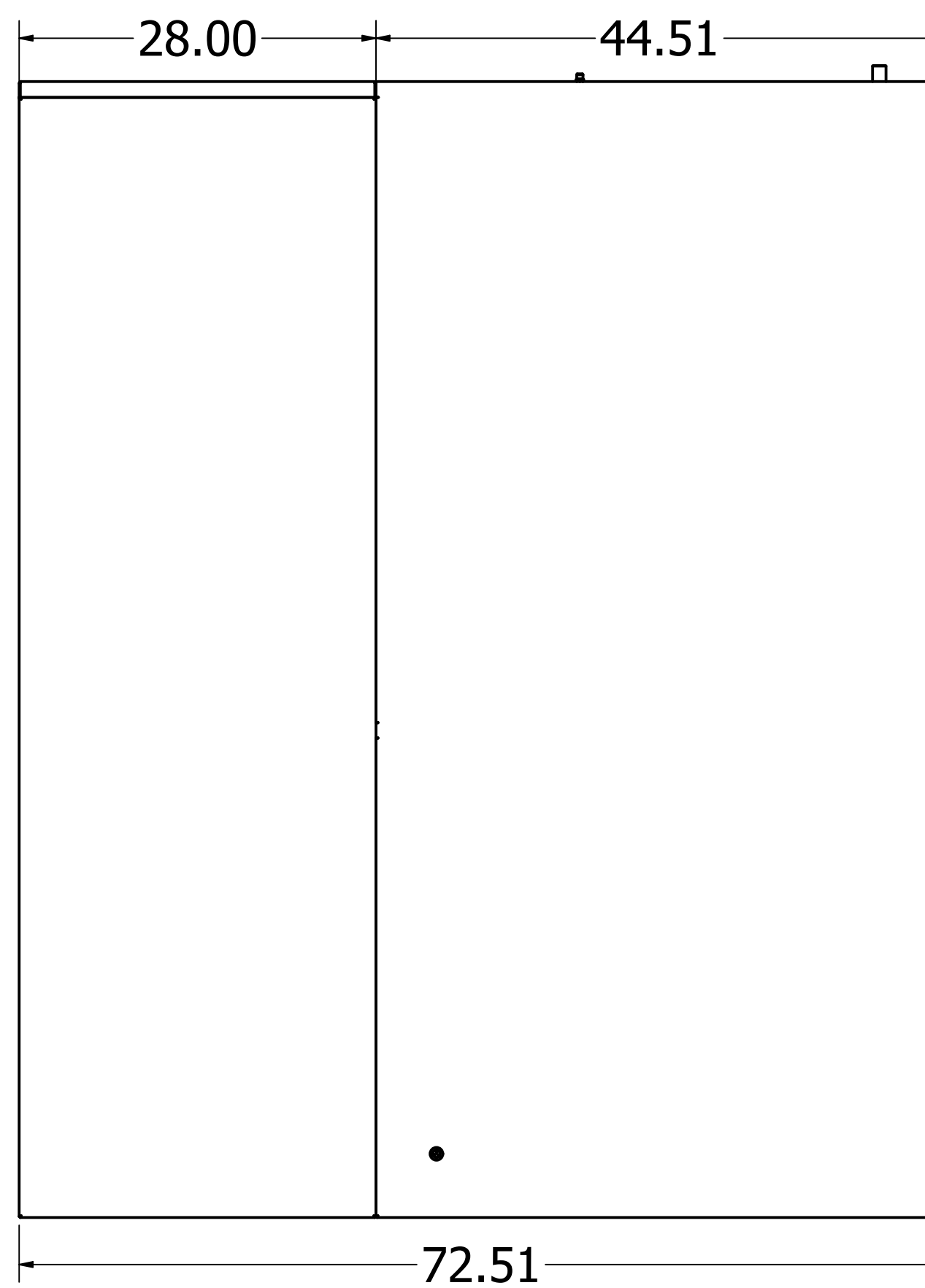
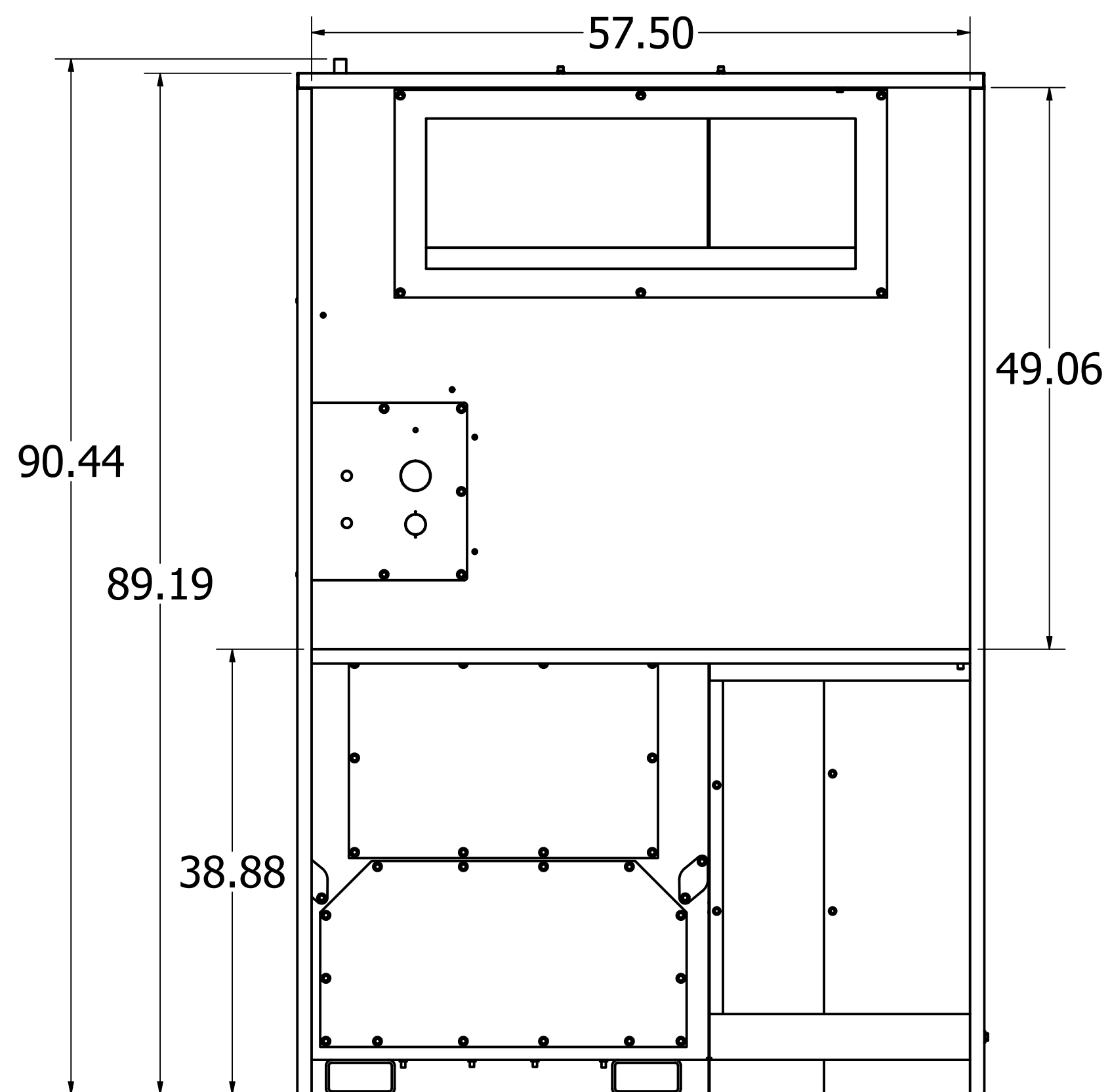
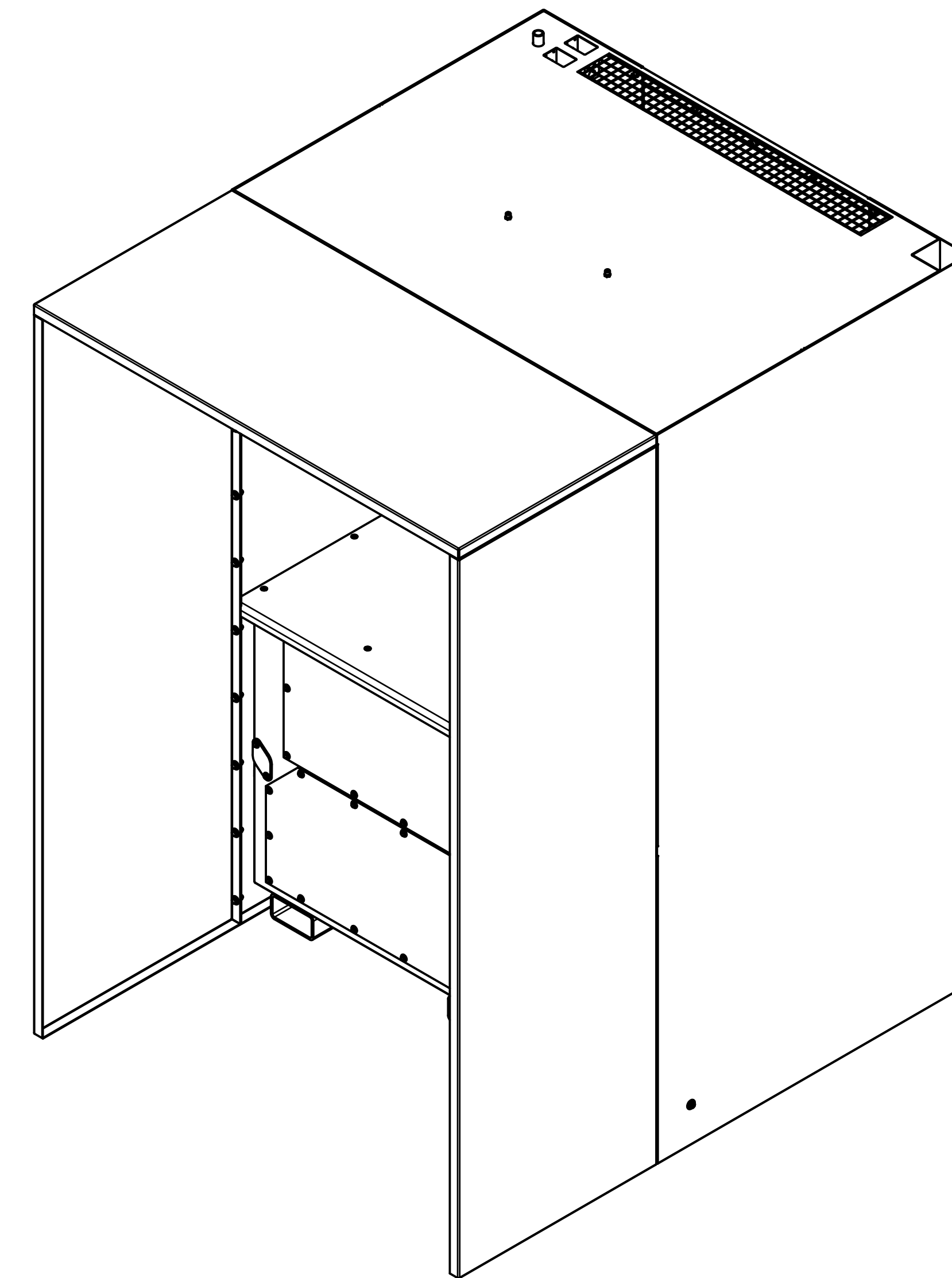
8 | 7 | 6 | 5 | 4 | 3 | 2 | 1

COMPRESSED AIR CONNECTION
3/4" NPT, WITH SUPPLIED
FILTER REGULATOR



CF5-2000-1
AIRFLOW CAPABILITY: 2000 CFM
MOTOR: 2HP
FULL LOAD AMPS @ 460 V: 3.4FLA

EQUIPMENT OPTION:
ENCLOSING HEAVY DUTY CURTAIN



<table border="1"> <thead> <tr> <th colspan="2">MATERIAL SPEC</th> </tr> <tr> <th>MATERIAL TYPE</th> <th>THICKNESS</th> </tr> </thead> <tbody> <tr> <td>ASTM A1011 CS TYPE B HOT ROLLED SHEETS</td> <td><= .1943</td> </tr> <tr> <td>ASTM A1018 CS TYPE B HOT ROLLED SHEETS</td> <td>> .1943</td> </tr> </tbody> </table>		MATERIAL SPEC		MATERIAL TYPE	THICKNESS	ASTM A1011 CS TYPE B HOT ROLLED SHEETS	<= .1943	ASTM A1018 CS TYPE B HOT ROLLED SHEETS	> .1943	DRAWN BY RKline	DATE 10/9/2020	
MATERIAL SPEC												
MATERIAL TYPE	THICKNESS											
ASTM A1011 CS TYPE B HOT ROLLED SHEETS	<= .1943											
ASTM A1018 CS TYPE B HOT ROLLED SHEETS	> .1943											
ALL POWDER COATED COMPONENTS MUST MEET AAMA 2603 STANDARDS		3RD ANGLE PROJECTION 										
PROPRIETARY AND CONFIDENTIAL ANY REPRODUCTION IN PART OR AS A WHOLE WITHOUT THE WRITTEN PERMISSION OF ROBOVENT® IS STRICTLY PROHIBITED		TOLERANCE: XX ± .1 ANGLE ± 1°		TITLE CF5-2000-1								
		UNLESS OTHERWISE SPECIFIED ALL DIMENSIONS IN INCHES(mm)		DWG NO. CF5-2000-1								
				REV. 0								
				SIZE D SCALE 1 / 11								
				SHEET 2 OF 2								